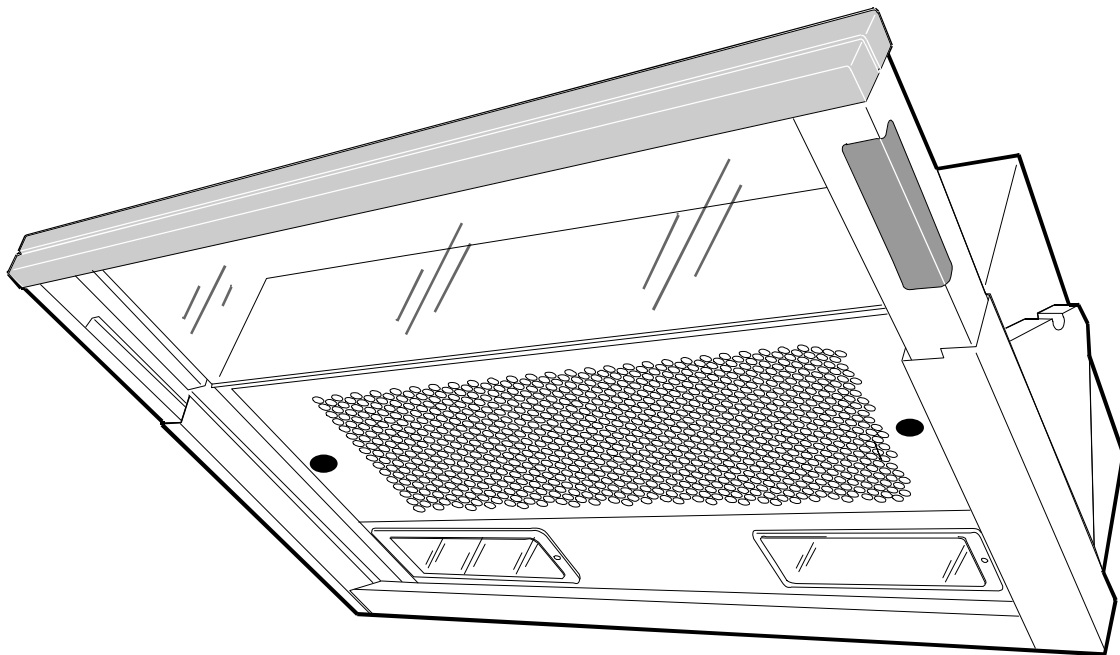




User Manual

EFP 629



Contents

Safety instructions	3
Description of the appliance	4
Function	4
Special accessories	5
Active carbon filter	5
Installation	5
Unpacking	5
Placement	5
Electrical connection	5
Mounting under wall cabinet	5
Exhausting mode	6
Recirculation mode (with carbon filter)	6
Using the hood	6
Speed regulation	6
Work light	6
Correct ventilation	6
Maintenance	7
Grease filter	7
Carbon filter	7
Cleaning	7
Changing the lighting elements	7
If the hood does not function	8
Technical data	9

Congratulations to your new Cooker Hood

Thank you for your choice of an Electrolux product. We are convinced that you will have great use and pleasure from your new cooker hood.

Before you use the cooker hood we recommend that you read through the whole user manual giving a direct description of the cooker hood and its functions.

To avoid the risks, that are always present when you use a product driven by electricity, it is important that the cooker hood is installed correctly and that you read the safety instructions carefully to avoid misuse and hazard.

Save the instruction manual and keep it available at use of the cooker hood



Safety instructions

At installation and service

- The cooker hood is made for normal households with normal cooking. If it is used for other purposes there is a risk of damage which is not covered by the warranty.
- All eventual electric installation has to be carried out by a qualified electrician. The installation of the hood should be made by a person with enough knowledge. Installation made otherwise could lead to loss of performance and even injuries and /or damage on properties.
- The hood cannot be connected to flues of other appliances that run on energy sources other than electricity.
Please, keep to the provisions of official directives regarding the question of fumes discharge.
- When the hood is used at the same time of other appliances that run on energy sources other than electricity, provision must be made for an adequate supply of air.
- When installed, the hood must be not less than 65 cm. above electric burners or 75 cm. above gas or mixed-fuel burners. (Fig. 3).
- The power cord should be drawn so that there is no risk of damage. Hazard!

At use of cooker hood

- No food must be cooked flambé underneath the hood.
- The use of an unprotected flame is dangerous for the filters and could cause fires.
- Never leave the deep-frying or frying pan over a cooker/hob. The oil contained in the pan may spontaneously ignite through overheating.
- Observe the filter change or cleaning intervals. Failure to observe these intervals may cause the risk of fire through fat deposition.

Note! If a fire starts; Switch of the cooker hood and the heating zone; **Cover the fire , Never use water.**

At disposal

- Help to avoid damages even when the cooker hood should be disposed. Disconnect the power plug and cut the power cord at hood inlet. Check with the authorities for information of how to proceed for disposal.

Description of the appliance

1. Motor speed switch
2. Light switch
3. Extractible drawer
4. Suction grid with grease filter
5. Hob light

Standard accessories included:

- Template for mounting under cupboard
- Screws:
- Duct with no return valve

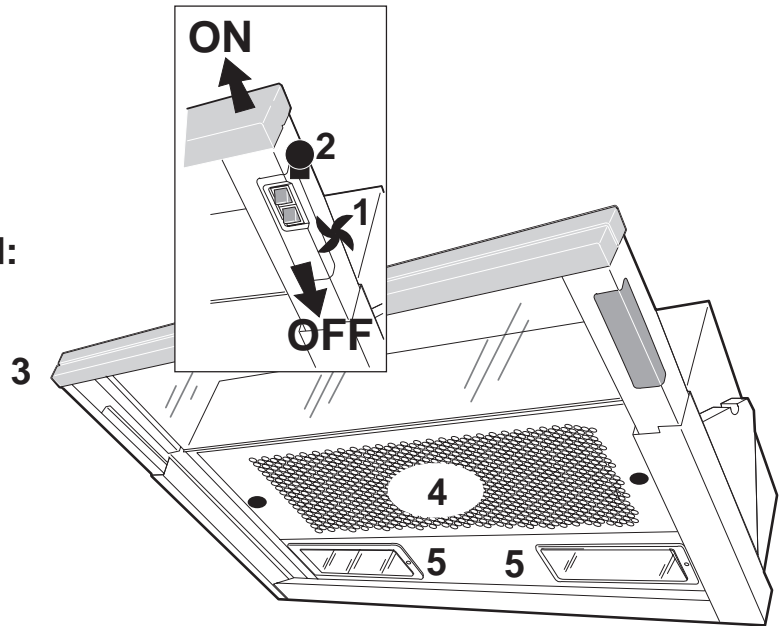


Fig. 1

Function

The hood may be used as follows:

- For air exhausting
- For air recycling

Exhausting

The air is vented outside by means of a \varnothing 120 mm pipes to be connected to the coupling ring **B** with no return valve (Fig.2).

Attention! In the horizontal runs the duct must be slightly slanted (about 10°) and directed upwards to vent the air easily from the room to the outside.



The hood cannot be connected to flues of other appliances that run on energy sources other than electricity.

Please, keep to the provisions of official directives regarding the question of fumes discharge.

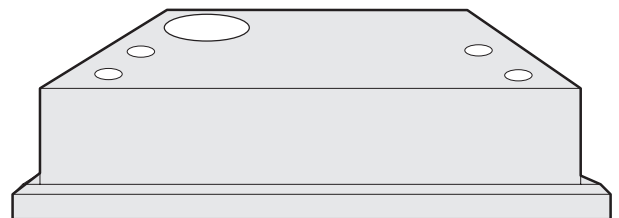


Fig. 2

Recycling

The air is filtered through a carbon filter and recirculated into the room. The filtered air is discharged by means of a \varnothing 120 mm pipe which goes through the cupboard and whose outlet is above the cupboard.

This version is used when there is no exhaust duct for venting outdoors or when it is impossible to install one.

Special accessories

Active carbon filter

When the hood is used in recirculation mode an active carbon filter should be used.

Order by the retailer

PNC 955 101 117

Installation

Unpacking

Check that the cooker hood has no damages. Transportation damages should immediately be reported to the one responsible for the transport. Damages, faults and eventually missing details should immediately be reported to the seller. Take care of the packing material so that small children cannot play with it.

Placement

The hood is to be mounted in a wall cupboard. When installed, the hood must be not less than 65 cm. above electric burners or 75 cm. above gas or mixed-fuel burners. (Fig. 3).

Electrical connection

The hood has a power cord with moulded plug with earth connection to be connected to a wall outlet of 230 V.

The power cord length is 1,25 m.

Mounting under wall cabinet

- Drill holes on the bottom of the cupboard as shown in the supplied drilling diagram (Fig. 4), do not consider the thickness of the front panel of the cupboard.
- From inside the cupboard, insert the four 4.2x35 screws **C** (Fig.5) supplied with the unit and screw them onto nuts **F** (Fig.5).
- By means of the appropriate screws, fit the angle iron **E** (Fig.6) so that it is tightly fixed to the wall.
- Make an hole on the top of the cupboard for the passage of the discharge (see the drilling diagram for diameter).

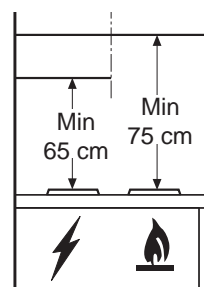


Fig. 3

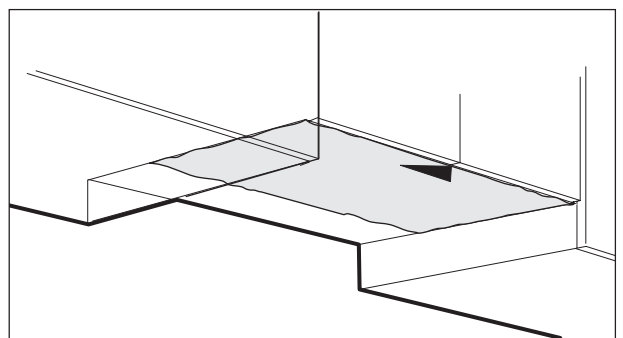


Fig. 4

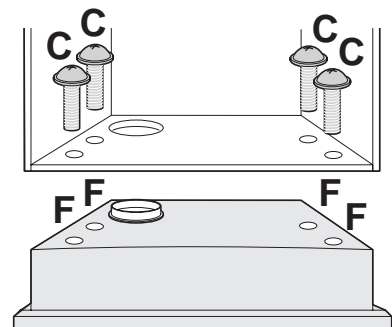


Fig. 5

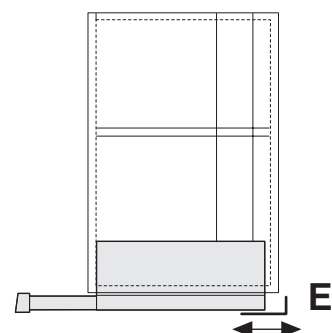


Fig. 6

Exhausting mode

- Connect the air outlet to the smoke exhaust hose

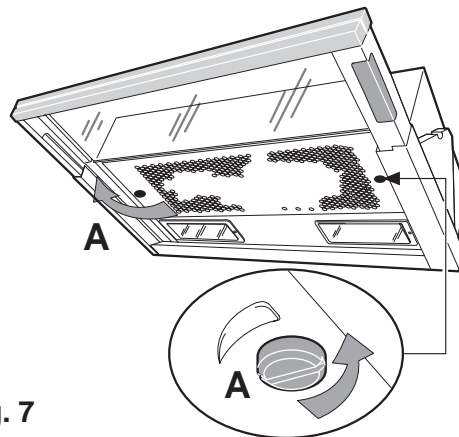


Fig. 7

Recirculation mode (with carbon filter)

- Open the grid (A - Fig. 7).
- Insert the filter into points I (Fig. 8) by making point L match up with point M and turn it in a clockwise direction, as indicated by the arrow D, until it is secured.
- Refit the suction grid.

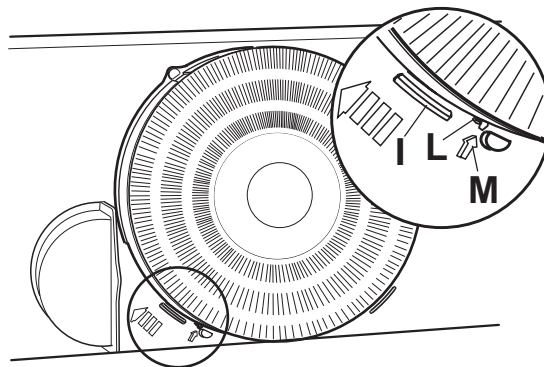


Fig. 8

Using the hood

Speed regulation

The hood has a two speed motor (fig. 9) regulated with a switch. For the best performance, we recommend using the high speed in particular cases of strong odour and vapour concentration. Speed can be switched ON and OFF opening or closing the extractable drawing.

We recommend starting up the hood a few minutes before cooking and keeping it running until all the odours have been eliminated.

The hood is equipped with a micro switch that activates the pre-selected fan speed when the drawer is opened.

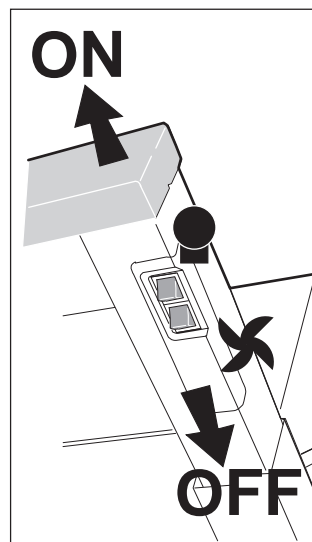


Fig. 9

Work light

The hood has two lamps 40 W (E 14). Switch on and off with the lamp switch. Also the lamp will when switched on work automatically with help of the drawer micro switch.

Correct ventilation

To have the cooker hood working correctly the windows in the kitchen should be closed. In stead a window in an adjacent room should be open.

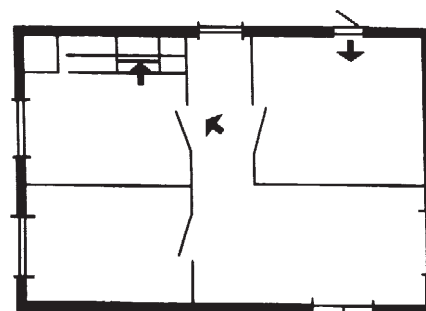


Fig. 10

Important to know

If the hood is run at the same time as a burner or fireplace that depend on ambient air (for example gas, Diesel, coal or wood heaters, water heaters, etc.) be careful, because the hood, when it exhausts the air, removes the ambient air required by the burner or fireplace for combustion.

Not valid if the cooker hood is used in recirculation mode.

Maintenance



Before performing any maintenance operation, disconnect the hood from the electricity.

Grease filter

This serves to hold the grease particles in suspension. The metal filter should be washed every month with warm soapy water or, if possible, in the dishwasher (60°C).

To remove:

- Open the grid (A - fig. 7).
- Remove the stops (fig. 11).

Leave to dry before refitting it.

Clean the grid too as well as the grease filter.

Carbon filter

This filter dissolves cooking odours.

It should be changed every 4-5 months in normal use.

The carbon filter must never be washed.

In order to remove it turn the filter anti-clockwise until it becomes unhooked from its seat. (Fig. 9).

Attention

Failure to observe the rules for cleaning the appliance and changing and cleaning the filters may cause fires. Therefore, we recommend observing these instructions.

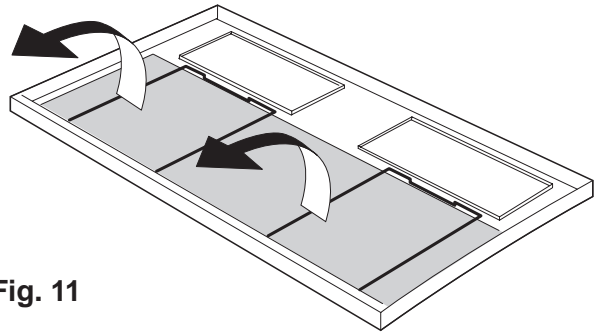


Fig. 11

Cleaning

To clean the outside of the hood use a cloth moistened with denatured alcohol or neutral liquid detergents. Never use products containing abrasives.

Changing the lighting elements

- Disconnect the hood from the electricity.
- Open the grid (Fig. 7).
- Replace the damaged part with one of equal rating.

If the hood does not function

Before you make contact to service

Check that the power plug is connected to the wall power outlet and that no fuse is blown. Do not do any operations that can cause hazard or damage to the product. If the problem remains contact your dealer or an approved service company

Remember to save the purchase recite and the Warranty card (only used in some countries)

Service and spare parts

Service and spare parts you will get via your dealer or service company.

When you order service or spare parts you should be ready to give the product number and model denomination. This information you will find on the rating label.

Take away the grease filter and you will find the rating label behind.

Model: _____

Product number: _____

Date of purchase: _____

Technical data

Model	EFP 629		
Capacity	Max	240 m ³ /h	^{x)} 185 m ³ /h
	Min.	175 m ³ /h	
Dimension	Height	175 mm	
	Width	598 mm	
	Depth	300 mm	
Light	2 x 40 W E 14		
Grease filter	1 pc		
Mains Voltage	230 V		
Electric safety class	Class 1		
Power rating total	220 W		

^{x)} Valid when the hood is used with carbon filter (recirculation)

